

GoldSeal GSW Datasheet

Normally Closed,
Screwed, Brass Body
24VAC/DC & 230VAC Models



24VAC/DC & 230VAC
Models Available



WRAS Approved
IP65 Rated



Normally Closed
Safety Shutoff



1/2" to 2" Screwed
Available For This
Model

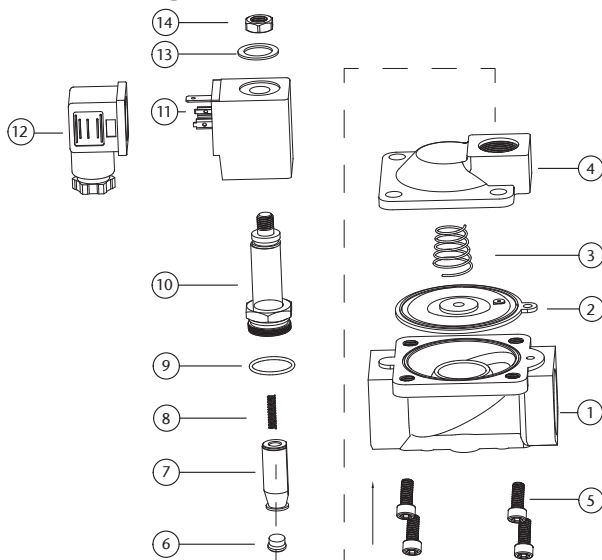
Approvals



Product Overview

Goldseal water solenoid valves are normally closed (N/C) and constructed with a durable brass body, two-way inlet and outlet ports.

Parts Diagram

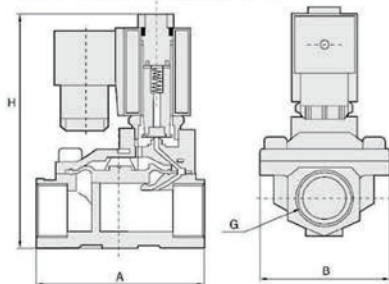
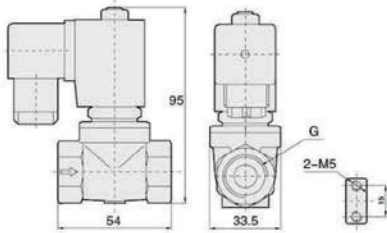


(1) Valve Body	Brass
(2) Diaphragm	EPDM
(3) Diaphragm Spring	Stainless Steel 304
(4) Valve Cover	Brass/Stainless Steel 316
(5) Bolt	Stainless Steel 302
(6) Pilot Seal	EPDM
(7) Pilot	Stainless Steel 1J117
(8) Pilot Spring	Stainless Steel 304
(9) O Ring	EPDM
(10) Plunger Tube Unit	Stainless Steel 304 + 1J117
(11) Coil	Enamelled Wire
(12) Plug	Nylon
(13) Washer	Stainless Steel 302
(14) Lock Nut	Stainless Steel 302

Main Dimensions

Orifice: 13mm
Port: 1/2"

Large Orifice
See Table below



Technical Specifications

Port Size	Orifice	CV Value	Pressure Difference (Bar)				Max. Temp. (°C)	VA AC 230V	W DC 24V	Partcode	Main Dimensions
			Min.	Max. Working Pressure							
				Air / Gas	Water / Hot Liquid	Light Oil ≤20CST					AxBxH(mm)
1/2"	13	4.5	0.5	16	16	120	22	13	GSW13-230VAC	66x48x112	
3/4"	20	7.6	0.5	16	16	120	22	13	GSW20-230VAC	75x58x118	
1"	25	12	0.5	16	16	120	22	13	GSW25-230VAC	96x70x131	
1.1/4"	35	22	0.5	16	16	120	22	13	GSW32-230VAC	131x96x146	
1.1/2"	40	30	0.5	16	16	120	22	13	GSW40-230VAC	131x96x146	
2"	50	48	0.5	16	16	120	22	13	GSW50-230VAC	165x120x167	

Port Size	Orifice	CV Value	Pressure Difference (Bar)				Max. Temp. (°C)	Volt.	W	Partcode	Main Dimensions
			Min.	Max. Working Pressure							
				Air / Gas	Water / Hot Liquid	Light Oil ≤20CST					AxBxH(mm)
1/2"	13	4.5	0.5	16	16	120	24VAC	13	GSW13-24VAC	66x48x112	
1/2"	13	4.5	0.5	16	16	120	24VDC	13	GSW13-24VDC	66x48x112	
3/4"	20	7.6	0.5	16	16	120	24VAC	13	GSW20-24VAC	75x58x118	
3/4"	20	7.6	0.5	16	16	120	24VDC	13	GSW20-24VDC	75x58x118	
1"	25	12	0.5	16	16	120	24VAC	13	GSW25-24VAC	96x70x131	
1"	25	12	0.5	16	16	120	24VDC	13	GSW25-24VDC	96x70x131	
1 1/4"	35	22	0.5	16	16	120	24VAC	13	GSW35-24VAC	131x96x146	
1 1/4"	35	22	0.5	16	16	120	24VDC	13	GSW35-24VDC	131x96x146	
1 1/2"	40	30	0.5	16	16	120	24VAC	13	GSW40-24VAC	131x96x146	
1 1/2"	40	30	0.5	16	16	120	24VDC	13	GSW40-24VDC	131x96x146	
2"	50	48	0.5	16	16	120	24VAC	13	GSW50-24VAC	165x120x167	
2"	50	48	0.5	16	16	120	24VDC	13	GSW50-24VDC	165x120x167	

Find out more

S&S Northern Ltd

www.snsnorthern.com

Head office:

Wallace Francis House, Barnes Wallis Way,
Buckshaw Village, Lancashire, PR7 7JN

Tel: 01257 470983

Email: info@snsnorthern.com

